

HC 표준형 3-Jaw 중심척

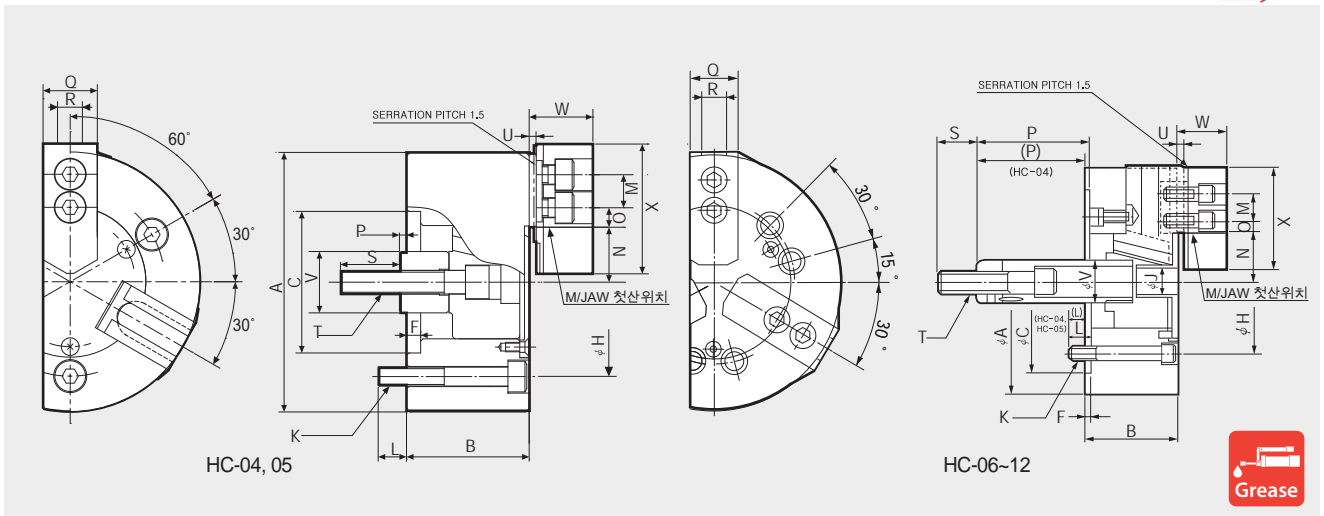
Standard 3-Jaw Closed-Center Chuck (110mm - 304mm)



■ Standard 3-jaw wedge-style closed-center power chuck

HYDRAULIC CHUCK

■ 3조 웨지형 타입 중심유압척



Dimensions / 치수표

척의 오랜 수명을 유지하기 위해 최소 일 1회 이상 그리스를 주입하여 주십시오.

	A	B	C(H6)	F	H	J	K	L	M	Nmax.	Nmin.	Omax.	Omin.	Pmax.	Pmin.	Q	R	S	T	U	V	W	X
HC-04	110	52	60	6	80	-	3-M8X55	12	14	23.3	20.1	11.25	8.25	17	3	23	10	25	M10x1.5	3	26	27	55
HC-05	135	55	80	7	100	-	3-M8X60	14	19	30.4	27.2	11.25	6.75	6	-8	23	10	35	M12x1.75	3	28	29	62
HC-06	165	74	140	5	104.8	21	6-M10X90	14	20	37.8	33.5	18	7.5	100	81.5	31	12	36	M16x2.0	4	34	35	72
HC-08	210	85	170	5	133.4	25	6-M12X100	20	25	46.3	41.9	22.25	9	125(109)	106(90)	35	14	36	M20x2.5	5	38	42	95
HC-10	254	89	220	5	171.4	34	6-M16X105	38	30	51.1	46.7	30.75	11.25	158(119)	133(94)	40	16	36	M20x2.5	5	45	46	110
HC-12	304	106	220	6	171.4	34	6-M16X120	38	30	61	55.75	48.75	12.75	163(142)	133(112)	50	18	36	M20x2.5	5	50	54	129

* The numbers in parentheses in columns P and T are also available upon request.

※ ()안의 치수는 옵션사양임.

Specifications / 사양

	Jaw STROKE Diameter. 직경 (mm)	PLUNGER STROKE (mm)	Grip Dia. 파악경 (mm)		Permissible Input Force 허용최대입력 KN (kgf)	Max. Static Gripping Force 최대정적파악력 KN (kgf)	Max. r.p.m 허용최고 회전속도 min ⁻¹ (r.p.m.)	Weight 중량 kgf	GD ² N·m ² (kgf·m ²)	Operating Cylinder 적용실린더		Max. Hydraulic Pressure 최대설정유압력 MPa (kgf/cm ²)	Operating HARD JAW 적용조	KITAGAWA® Model
			Max.	Min.						유압(Hydraulic)	공압(Pneumatic)			
HC-04	6.4	14	110	8	8.2 (836)	22.8 (2325)	6000	4.1	0.29(0.03)	Y-0715R(RE)	AY-1315R	2.4 (24.5)	HB04N1	N-04
HC-05	6.4	14	135	16	8.2 (836)	25.2 (2570)	5500	6.2	0.59(0.06)	Y-0715R(RE)	AY-1315R	2.4 (24.5)	HB04N1	N-05
HC-06	8.5	18.5	165	19	18 (1835)	52.5 (5353)	5270	13	1.77(0.18)	Y-1020R(RE)	AY-1720R	2.6 (26.5)	HB06A1	N-06
HC-08	8.8	19	210	23	25 (2549)	75 (7648)	4760	25	5.39(0.55)	Y-1225R(RE)	AY-2225R	2.5 (25.5)	HB08A1	N-08
HC-10	8.8	25	254	24	29 (2957)	108 (11013)	4010	37	11.77(1.20)	Y-1225R(RE)	AY-2225R	2.8 (28.6)	HB10A1	N-10
HC-12	10.5	30	304	26	41 (4181)	156 (15907)	3380	57.3	28.44(2.90)	Y-1530R(RE)	AY-2730R	2.7 (27.5)	HB12B1	N-12

* Maximum turning speed is based on actual measurements.

* Specifications are subject to change without notice.

* Samcully Machinery Co., Ltd. is no longer an OEM manufacturer for Kitagawa® Iron Works Co., Ltd.

※ 허용최고 회전속도는 실측치에 준함.

※ 사양은 예고없이 변경될 수 있음.

※ 삼천리기계는 현재 기타가와에 OEM 생산을 하지 않습니다.

HC

표준형 3-Jaw 중심척

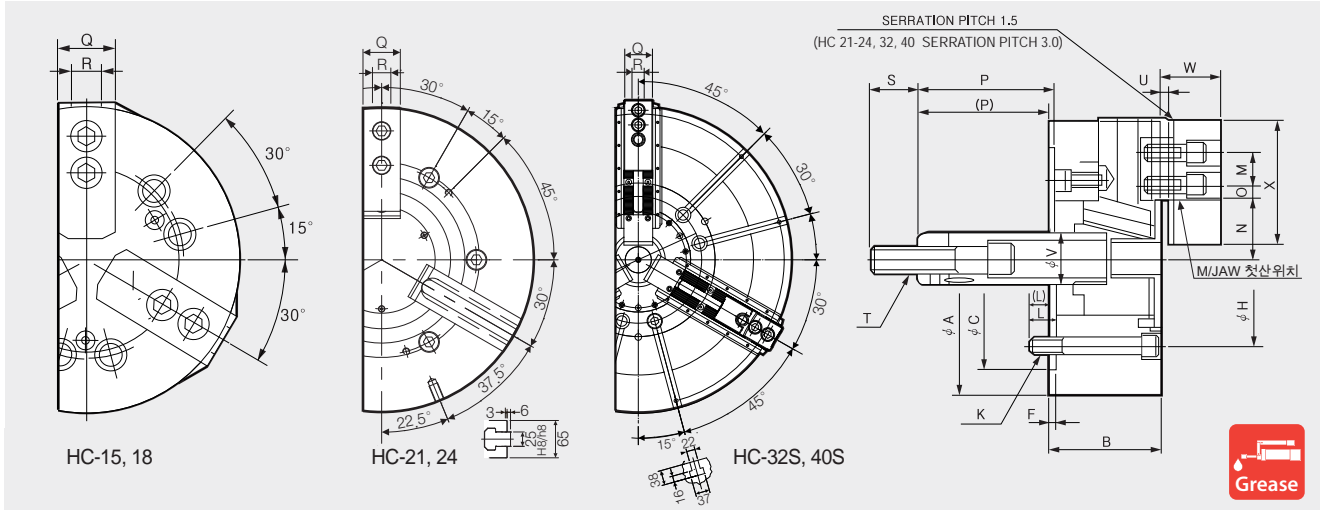
Standard 3-Jaw Closed-Center Chuck (381mm - 1000mm)



■ Standard 3-jaw wedge-style closed-center power chuck

HYDRAULIC CHUCK

P.34-35 참조
Gripping Force



최의 오랜 수명을 유지하기 위해 최소 일 1회 이상 그리스를 주입하여 주십시오.

Dimensions / 치수표

	A	B	C(H6)	F	H	J	K	L	M	Nmax.	Nmin.	Omax.	Omin.	Pmax.	Pmin.	Q	R	S	T	U	V	W	X
HC-15	381	114	300	6	235.0	-	6-M20X150	65	43	77.5	69.5	48.75	23.25	104	69	62	25.5	55	M30x3.5	2	60	61	135
HC-18	450	114	300	6	235.0	-	6-M20X115	30	43	108	100	48.75	23.25	92	57	62	25.5	55	M30x3.5	2	60	61	135
HC-21	530	125	380	6	330.2	-	6-M22X120	31	60	86	78	93.5	27.5	97	62	65	25	55	M30x3.5	3	60	70	180
HC-21N	530	125	380	6	330.2	-	6-M24X120	31	60	86	78	93.5	27.5	97	62	65	25	55	M30x3.5	3	60	70	180
HC-24	610	125	380	6	330.2	-	6-M22X120	31	60	125	117	93.5	27.5	97	62	65	25	55	M30x3.5	3	60	71	180
HC-24N	610	125	380	6	330.2	-	6-M24X140	51	60	125	117	93.5	27.5	160	125	65	25	55	M30x3.5	3	60	71	180
HC-32S	800	150	380	6	330.2	65	6-M24X120	39	76.2	117.3	102.3	234.1	36	38	0	75	12.7	70	M30x3.5	8	70	81	165
HC-40S	1000	180	520	8	463.6	50	6-M24X120	32	76.2	212.8	187.8	169.8	17.4	30	-27	110	30	65	M36x4.0	-4	70	106	270

Specifications / 사양

	Jaw STROKE Diameter, 직경 (mm)	PLUNGER STROKE (mm)	Grip Dia. 파악경 (mm)		Permissible Input Force 허용최대입력 KN (kgf)	Max. Static Gripping Force 최대정적파악력 KN (kgf)	Max. r.p.m 허용최고 회전속도 min ⁻¹ (r.p.m.)	Weight 중량 kgf	GD ² N·m ² (kgf·m ²)	Operating Cylinder 적용실린더		Max. Hydraulic Pressure 최대실정유압력 MPa (kgf/cm ²)	Operating HARD JAW 적용조	KITAGAWA [®] Model
			Max.	Min.						유압(Hydraulic)	공압(Pneumatic)			
HC-15	16	35	381	71	82 (8362)	249 (25391)	3040	96	70.61(7.2)	Y-2035R(RE)	-	3.2 (32.6)	HB15N1	N-15
HC-18	16	35	450	133	82 (8362)	249 (25391)	2710	124	92.2(9.4)	Y-2035R(RE)	-	3.2 (32.6)	HB15N1	N-18
HC-21	16	35	530	62	82 (8362)	273 (27838)	1940	180	188.3(19.2)	Y-2035R(RE)	-	3.2 (32.6)	HB18B2	N-21
HC-21N	16	35	530	62	82(8362)	273 (27838)	1940	180	188.3(19.2)	Y-2035R(RE)	-	3.2 (32.6)	HB18B2	N-21
HC-24	16	35	610	152	82(8362)	273 (27838)	1760	223	271.6(27.7)	Y-2035R(RE)	-	3.2 (32.6)	HB18B2	N-24
HC-24N	16	35	610	152	82 (8362)	273 (27838)	1760	223	271.6(27.7)	Y-2035R(RE)	-	3.2 (32.6)	HB18B2	N-24
HC-32S	30	38	800	200	120(12170)	215 (21805)	800	350	609.1(61)	Y-2050R(RE)	-	40.8	HB32SB2	-
HC-40S	30	23	1000	330	180(18256)	320 (32454)	630	600	1721.8(174.5)	Y-2560RE	-	40.8	HB40SB2	-

※ Maximum turning speed is based on actual measurements.
 ※ Specifications are subject to change without notice.
 ※ Samcully Machinery Co., Ltd. is no longer an OEM manufacturer for Kitagawa[®] Iron Works Co., Ltd.

※ 허용최고 회전속도는 실측치에 준함.
 ※ 사양은 예고없이 변경될 수 있음.
 ※ 삼천리기계는 현재 기타가와에 OEM 생산을 하지 않습니다.

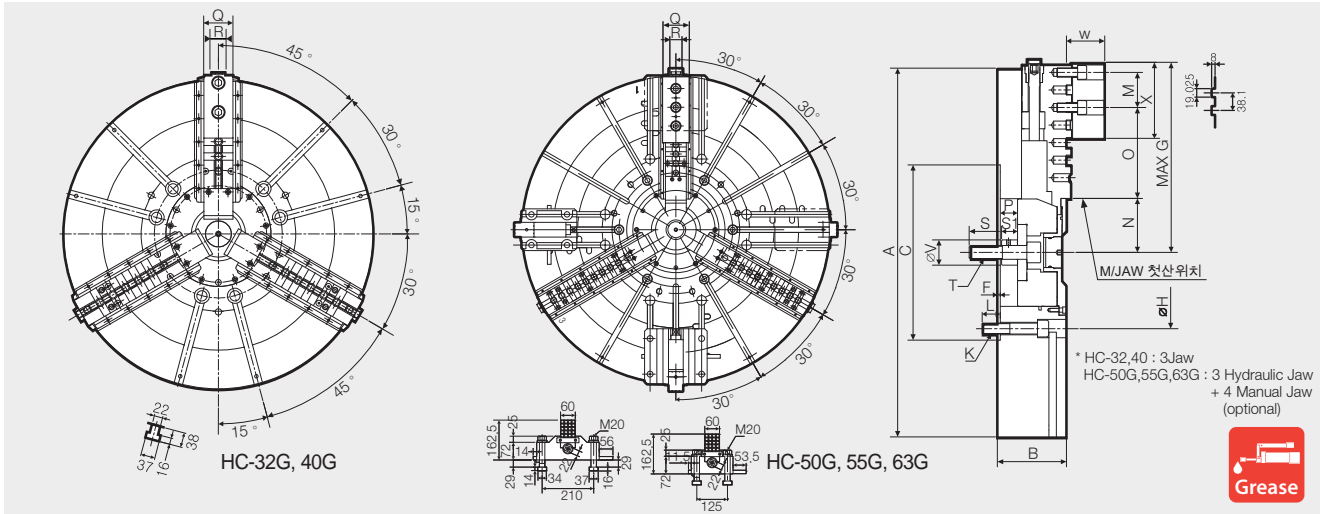
HC (groove type) 3-Jaw 유압형 , 4-Jaw 수동형

3-Jaw Hydraulic , 4-Jaw Independent Chuck (800mm -1600mm)



HYDRAULIC / INDEPENDENT CHUCK

- 3-Jaw hydraulic chuck (HC-32G,HC-40G)
- 4-jaw independent closed-center power chuck (HC-50G,HC-55G,HC-63G)
- 3-Jaw 유압형 (HC-32G,HC-40G)
- 4-Jaw 수동형 (HC-50G,HC-55G,HC-63G)



최의 오랜 수명을 유지하기 위해 최소 일 1회 이상 그리스를 주입하여 주십시오.

Dimensions / 치수표

	A	B	C(H6)	F	G	H	K	L	M	Nmax.	Nmin.	Omax.	Omin.	Pmax.	Pmin.	Q	S	S1	T	V	W	X	a1	a2	a3	a4
HC-32G	800	150	380	6	442.5	330.2	M24X120L	39	76.2	117.6	102.7	196.9	44.5	38	0	75	70	35	M30x125L	55	83	165	12.7	8	3	75
HC-40G	1000	180	520	8	509.6	463.6	M24X140L	32	76.2	217.3	194.3	91.1	14.9	60	3	110	65	35	M36x130L	70	106	270	30	-4	4	85
HC-50G	1250	180	520	8	623.9	463.6	M24X140L	32	76.2	217.3	194.3	205.4	14.9	60	3	110	65	35	M36x130L	70	106	270	30	-4	4	85
HC-55G	1400	220	720	8	710.6	647.6	M24X160L	36	76.2	250	226	259.4	30.8	82	22	110	65	35	M36x130L	70	104	270	30	-6	4	110
HC-63G	1600	220	720	8	786.8	647.6	M24X160L	36	76.2	250	226	335.6	30.8	13	22	110	65	35	M36x130L	70	104	270	30	-6	4	110

Specifications / 사양

	Jaw STROKE Diameter. 직경 (mm)	Manual Setting (Radial)	PLUNGER STROKE (mm)	Grip Dia. 파악경 (mm) Max. Min.	Permissible Input Force 허용최대입력 KN (kgf)	Max. Static Gripping Force 최대정적파악력 KN (kgf)	Max. rpm 허용최고 회전속도 min ⁻¹ (r.p.m.)	Weight 중량 kgf	GD ² N·m ² (kgf·m ²)	Cylinder	Max. Hydraulic Pressure 최대설정유압력 MPa (kgf/cm ²)	Operating HARD JAW 적용조
HC-32G	30	30	38	800 200	120 (12170)	215 (21805)	800	350	601.9 (61)	Y-2560	40.8	HB32GB
HC-40G	46	30	23	1000 330	180 (18256)	320 (32454)	630	600	1721.8 (174.5)	Y-2560	40.8	HB40GB
HC-50G	46	30	57	1250 330	180 (18256)	320 (32454)	500	800	2169 (220)	Y-2560	40.8	HB40GB
HC-55G	48	40	60	1400 460	200 (20394)	360 (36710)	450	1350	2760 (280)	Y-2560	46	HB40GB
HC-63G	48	40	60	1600 460	200 (20394)	360 (36710)	400	1850	4930 (500)	Y-2560	46	HB40GB

※ Maximum turning speed is based on actual measurements.
 ※ Specifications are subject to change without notice.

※ 허용최고 회전속도는 실측치에 준함.
 ※ 사양은 예고없이 변경될 수 있음.