

# HCF 4-Jaw 중실유압척

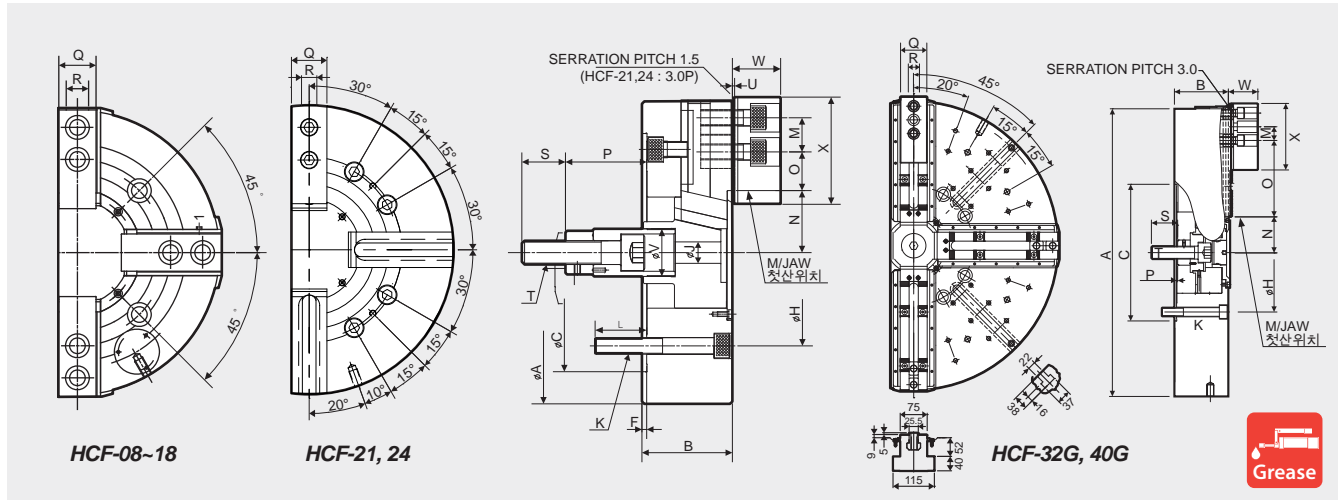
## 4-Jaw Closed-Center Chuck



■ 4-jaw wedge-style closed-center power chuck

### HYDRAULIC CHUCK

■ 표준 2조 웨지형 타입의 강력한 파악력 유압척



최의 오랜 수명을 유지하기 위해 최소 밀 1회 이상 그리스를 주입하여 주십시오.

### Dimensions / 치수표

	A	B	C(H6)	F	H	J	K	L	M	Nmax.	Nmin.	Omax.	Omin.	Pmax.	Pmin.	Q	R	S	T	U	V	W	X
HCF-08	210	85	170	5	150	25	6-M12	30	25	46.3	41.9	22.25	11.75	125	106	35	14	36	M20x2.5	5	38	42	95
HCF-12	304	106	220	6	171.4	34	4-M16	38	30	61	55.7	48.75	12.75	163	133	49	18	36	M20x2.5	5	50	53.5	129
HCF-15	381	114	300	6	235	27	4-M20	65	43	78	70	48.75	23.25	104	69	50	26	55	M30x3.5	2	60	61	135
HCF-18	450	114	300	6	235	27	4-M20	30	43	108	100	48.75	23.25	92	57	50	26	55	M30x3.5	2	60	60	135
HCF-21	530	125	380	6	330.2	27	8-M22	61	60	86	78	93.5	27.5	97	62	65	25	55	M30x3.5	3	60	70	180
HCF-24	610	125	380	6	330.2	27	8-M22	31	60	125	117	93.5	27.5	97	62	65	25	55	M30x3.5	3	60	70	180
HCF-32G	800	150	380	6	330.2	65	8-M24x160L	41	38.1	99.4	89.4	212.5	32.5	35	-3	75	25.5	73	M36x4.0	5	102	82	185
HCF-40G	1000	180	520	8	463.6	32	8-M24x140L	32	60	187.3	167.3	172	23.7	-25	32	110	30	65	M36x4.0	4	52	106	270

※ Blank and machined draw-nuts are available.  
 ※ HCF-21 and HCF-24 are available with M22 or M24 mounting bolts,  
 ※ Groove type is standard model on HCF-32G and HCF-40G.

※ Draw-nut는 규격품과 미가공품이 있음.  
 ※ HCF-21 과 HCF-24 는 체결볼트 "K" 가 M22 또는 M24가 있음.  
 ※ HCF-32G 와 HCF-40G 는 그루브 타입이 표준임.

### Specifications / 사양

	Jaw STROKE Diameter. 직경 (mm)	PLUNGER STROKE (mm)	Grip Dia. 파악경 (mm)		Permissible Input Force 허용최대입력 KN (kgf)	Max. Static Gripping Force 최대정적파악력 KN (kgf)	Max. r.p.m 허용최고 회전속도 min <sup>-1</sup> (r.p.m.)	Weight 중량 kgf	GD <sup>2</sup> N·m <sup>2</sup> (kgf·m <sup>2</sup> )	Operating Cylinder 적용실린더	Max. Hydraulic Pressure 최대설정유압력 MPa (kgf/cm <sup>2</sup> )	Operating HARD JAW 적용조
			Max.	Min.								
HCF-08	8.8	19	210	17	16.5(1638)	50(5099)	4000	22	5.20(0.53)	Y-1225R(RE)	1.6 (16.3)	HB08A1
HCF-12	10.5	30	304	26	27.5(2804)	104(10605)	3000	55	27.7(2.83)	Y-1530R(RE)	1.8 (18.4)	HB12B1
HCF-15	16	35	381	71	54.6(5575)	165.8(16927)	3040	98	72.6(7.4)	Y-2035R(RE)	2.13 (21.7)	HB15N1
HCF-18	16	35	450	133	54.6(5575)	165.8(16927)	2710	124	92.2(9.4)	Y-2035R(RE)	2.13 (21.7)	HB15N1
HCF-21	16	35	530	62	54.6(5575)	183(18550)	1700	180	188.3(19.2)	Y-2035R(RE)	2.13 (21.7)	HB18B2
HCF-24	16	35	610	152	54.6(5575)	183(18550)	1500	223	271.7(27.7)	Y-2035R(RE)	2.13 (21.7)	HB18B2
HCF-32	20	38	800	85	88(8925)	156(15821)	800	350	601(61)	Y-2050	3 (30.6)	HB32SB2
HCF-40	46	57	1000	150	120(12245)	213(21769)	630	620	1720(174.5)	Y-2560	2.7 (27.2)	HB40SB2

※ Maximum turning speed is based on actual measurements.  
 ※ Specifications are subject to change without notice.  
 ※ HCF-12 is also available with long stroke.

※ 허용최고 회전속도는 실측치에 준함.  
 ※ 사양은 예고없이 변경될 수 있음.  
 ※ HCF-12는 Long-stroke 사용가능.