

SHL 초고속 중공 단축 유압실린더 [Long Stroke형]

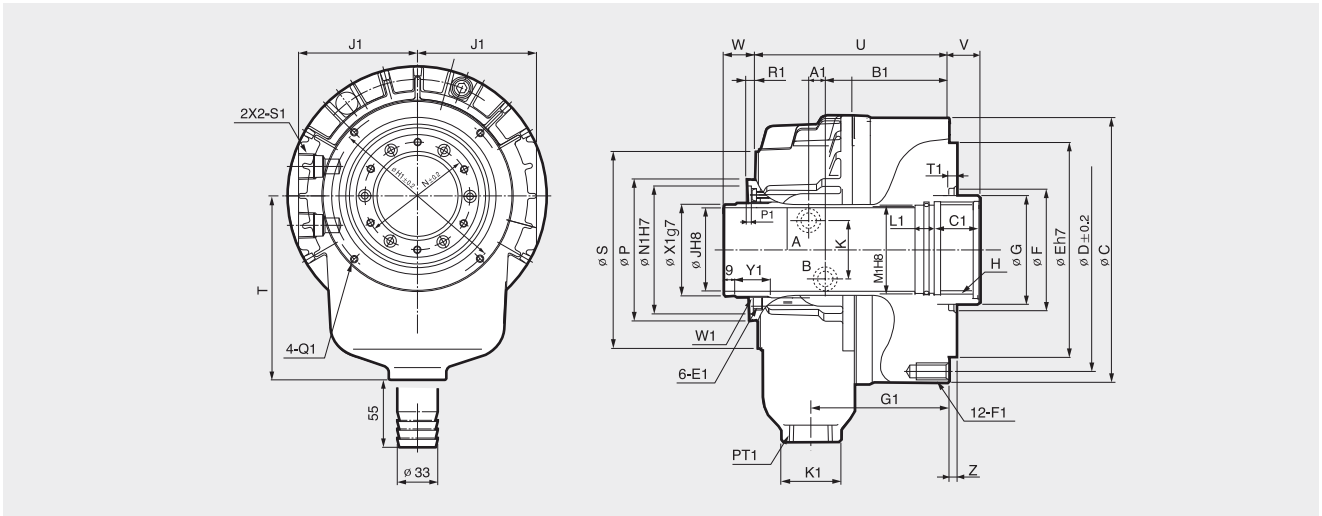
Short-Body Long-Stroke Open-Center Hydraulic Cylinder



HYDRAULIC CYLINDER

- Long-stroke short-body high-speed open-centered hydraulic cylinder with built-in lock and relief valves

- SYH 타입보다 경량 단축된 대관통 초고속 중공 유압실린더 (안전밸브 내장)



Dimensions / 치수표

	C	D	E	F	G	Hmax.	J	K	N	P	S	T	U	Vmax.	Vmin.	Wmax.	Wmin.	Z	A1	B1
SHL-17068	210	190	160	120	85	M75×2.0	68	48	88	111	154	150	175	35	-5	65	25	5	10	128
SHL-18077	218	190	160	120	95	M85×2.0	77	48	108	121	164	165	182	35	-5	65	25	5	10	134.5
SHL-25011	310	275	230	166	140	M130×2.0	117.5	46	138	170	230	107.5	258	46	-4	87	37	6	19	176.5
SHL-39024	450	420	320	280	265	M250×3.0	240	30	268	310	370	340	302.5	50	-1	76	25	6	22	199

	C1	E1	F1DP'	G1	H1	J1	K1	L1	M1	N1	P1	Q1	R1	S1	T1	W1	X1	Y1
SHL-17068	35	M6	M10×20	133	145	97	47	15	71	100	4	M6×10	7	PT 1/2	5	M74×1.5	71.5	26
SHL-18077	35	M6	M10×20	140	155	102	47	15	80	108	4	M6×10	7	PT 1/2	5	M84×2.0	81	26
SHL-25011	45	M6	M16×32	190.5	206	140	55	120	123	150	5.5	M6×12	7.5	PT 1/2	6	M124×2.0	122	29
SHL-39024	45	M6	M16×40	215	350	215	75	20	243	284	5.5	M6	7.5	PT 1/2	6	M253×2.0	249	38

Specifications / 사양

	Available I.D.	Cylinder Diameter 직경 (mm)	PISTON STROKE (mm)	Piston Force 피스톤 추력		Max. Operating Pressure 최대사용유압력 MPa(kgf/cm ²)	Max. rpm 허용최고회전수 min ⁻¹ (rpm)	GD ² N·m ² (kgf·m ²)	Weight 중량 kgf	Total Leakage 총 누출량 l/(min)
				압축 push KN(kgf)	인축 pull KN(kgf)					
SHL-17068	68	170	40	63(6531)	59.8(6060)	4.0(40.8)	5600	0.69(0.070)	17.8	4.0
SHL-18077	77	185	40	75.3(7632)	69.6(7087)	4.0(40.8)	5000	0.86(0.088)	18.5	4.2
SHL-25011	117.5	255	50	32(13390)	121(12305)	4.0(40.8)	3000	1.9(0.193)	54	7.0
SHL-39024	240	390	51	152.5(15570)	138.7(14152)	2.5(25)	1500	39.64(4.02)	140	22

※ Specifications are subject to change without notice.

※ 허용최고 회전속도는 실측치에 준함.