

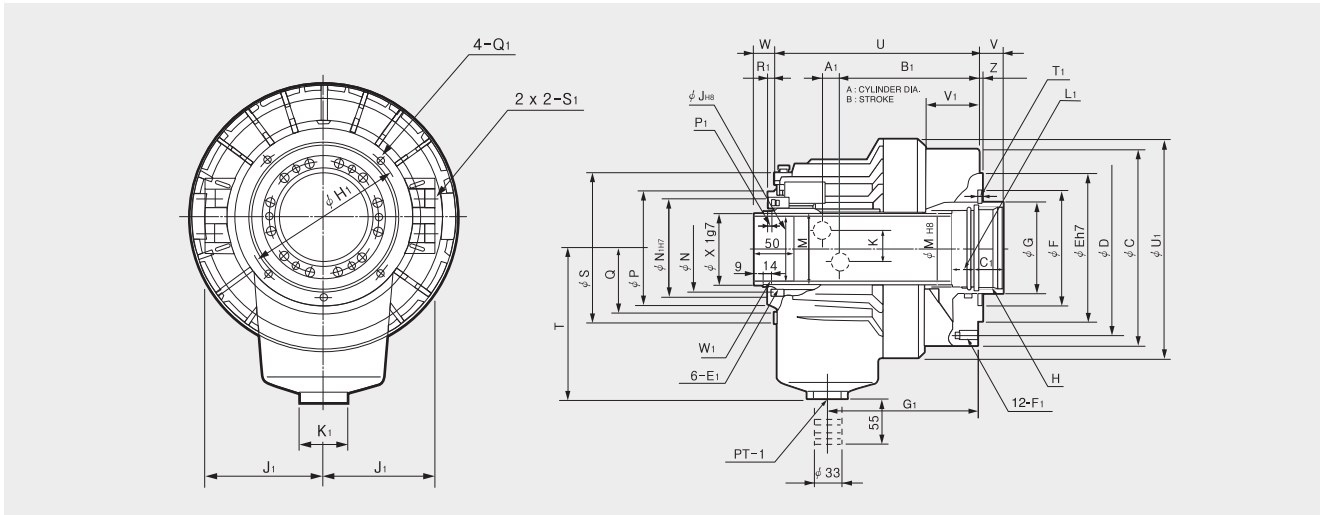
SYH 표준형 초고속 중공 유압실린더

Standard Open-Center Hydraulic Cylinder



HYDRAULIC CYLINDER

- High-speed open-centered hydraulic cylinder with built-in lock and relief valves
- HYH 타입보다 경량화된 고속 중공 유압실린더 (안전밸브 내장)



Dimensions / 치수표

	C	D	E	F	G	Hmax.	J	K	M	N	P	Q	S	T	U	Vmax.	Vmin.	Wmax.	Wmin.	Z	A1
SYH-1036	135	115	100	65	48	M42×1.5	36	30	44.6	55	73	45	104	115	156	15	0	40	25	5	11
SYH-1246	155	130	100	80	65	M52×2.0	46	36	52.9	64	85	51.5	118	115	184	15	0	40	25	5	11.5
SYH-1552	190	170	130	85	70	M60×2.0	52	36	59.6	73	96	57	137	130	191	22	0	47	25	5	12
SYH-1877	215	190	160	120	95	M85×2.0	77	36	84.6	98	121	70	166	160	230	25	0	50	25	5	17.5
SYH-2091	240	215	180	140	110	M100×2.0	91	34	99.6	108	138	79	182	185	253	30	0	55	25	5	21

	B ₁	C ₁	E ₁	F ₁	G ₁	H ₁	J ₁	K ₁	L ₁	M ₁	N ₁	P ₁	Q ₁	R ₁	S ₁	T ₁	U ₁	V ₁	W ₁	X ₁
SYH-1036	102.5	25	M5×11	6-M10×17	98	88	73	47	15	38	64	4	M5×10	5	PT 3/8	6	158	28	M44×1.5	42
SYH-1246	126.5	30	M6×9	12-M10×20	135	98	76	47	15	50	76	4	M5×10	6	PT 1/2	6	200	46	M52×1.5	50
SYH-1552	136	30	M6×9	12-M10×20	145	110	86	47	15	55	85	4	M6×12	7	PT 1/2	6	220	51	M58×1.5	56
SYH-1877	153.5	35	M6×9	12-M10×20	166.5	155	101	47	15	80	108	4	M6×12	7	PT 1/2	6	242	58	M84×2.0	81
SYH-2091	168	35	M6×14	12-M12×24	183	165	110	47	15	95	120	4	M6×12	7	PT 1/2	6	267	66	M99×2.0	96

Specifications / 사양

	Available I.D.	Cylinder Diameter 직경 (mm)	PISTON STROKE (mm)	Piston Surface Area 피스톤 표면적		Piston Force 피스톤 추력		Max. Operating Pressure 최대사용유압력 MPa(kgf/cm ²)	Max. rpm 허용최고회전수 min ⁻¹ (rpm)	GD ² N·m ² (kgf·m ²)	Weight 중량 kgf	Total Leakage 총 Leak 량 l/(min)	KITAGAWA® Model
				압축 push cm ²	인축 pull cm ²	압축 push KN(kgf)	인축 pull KN(kgf)						
SYH-1036	36	105	15	67	64.5	25(2549)	24(2447)	4.0(40.8)	8000	0.43(0.044)	8.6	3.0	S-1036
SYH-1246	36,39,40,41,43,45,46	125	15	100	89	38(3875)	33(3365)	4.0(40.8)	7000	0.76(0.078)	12.0	3.0	S-1246
SYH-1552	46,52,69	155	22	161	150	60(6118)	56(5710)	4.0(40.8)	6200	2.06(0.21)	16.8	3.9	S-1552
SYH-1877	68,69,75,77	180	25	198	183	74(7546)	69(7036)	4.0(40.8)	4700	3.73(0.83)	26.0	4.2	S-1875
SYH-2091	78,91	205	30	252	234	94(9585)	88(8973)	4.0(40.8)	3800	5.98(0.61)	33.0	4.5	S-2091

* Samcully Machinery Co., Ltd. is no longer an OEM manufacturer for Kitagawa® Iron Works Co., Ltd.

* 삼천리기계는 현재 기타가와에 OEM 생산을 하지 않습니다.